

SAILOR® SE-II AND SGE-II EPIRBs

COBHAM

Emergency Position Indicating Radio Beacon

2013 Product Sheet

The most important thing we build is trust

The SAILOR SE-II and SGE-II Satellite EPIRBs are satellite distress beacons designed to operate in conjunction with the Cospas-Sarsat international satellite search and rescue system.

For GMDSS compliance, the SAILOR 406MHz Satellite EPIRB has a slimline fully enclosed float free housing which allows self-testing of the EPIRB in question. The SAILOR EPIRB is also available with a quick release bulkhead mounting bracket for carry-off situations.

Features include:

- GMDSS compliant
- Global distress alerting
- Satellite location
- Small and lightweight
- Fully enclosed housing
- 5-year shelf life
- Built-in GPS (model SGE-II only)

When considering the SAILOR 406 MHz Satellite EPIRB for your vessel, you have the choice of two versions – the standard SE-II or the SGE-II. The SGE-II is distinguished by a built-in GPS and the ability to provide Search and Rescue (SAR) services with location details, including latitude and longitude. Both models rely on a cutting edge satellite system able to locate beacons transmitting on the 406MHz frequency to within 5km (3nm). Once SAR units are at the distress scene the beacon's 121.5MHz homing transmitter and it's high intensity xenon strobe light aid final location even in poor visibility.

SAILOR 406MHz Satellite EPIRB is fully compatible with the Cospas-Sarsat and Global Maritime Distress and Safety System (GMDSS) regulations and meets the requirements A810 (19) of the International Maritime Organisation (IMO).

When shipped the beacon is programmed with a unique serial number which must be registered with the national authorities. Where national authorities allow, the beacon can be re-programmed with the vessels satellite or radio call sign. This is done by the distributor using an infra-red light pen connected to a Windows based computer. The SAILOR EPIRB is supplied with a fully enclosed automatic float free housing which allows it to be self-tested while in the housing. For non GMDSS use the unit can be supplied in a quick release bulkhead mounting bracket.

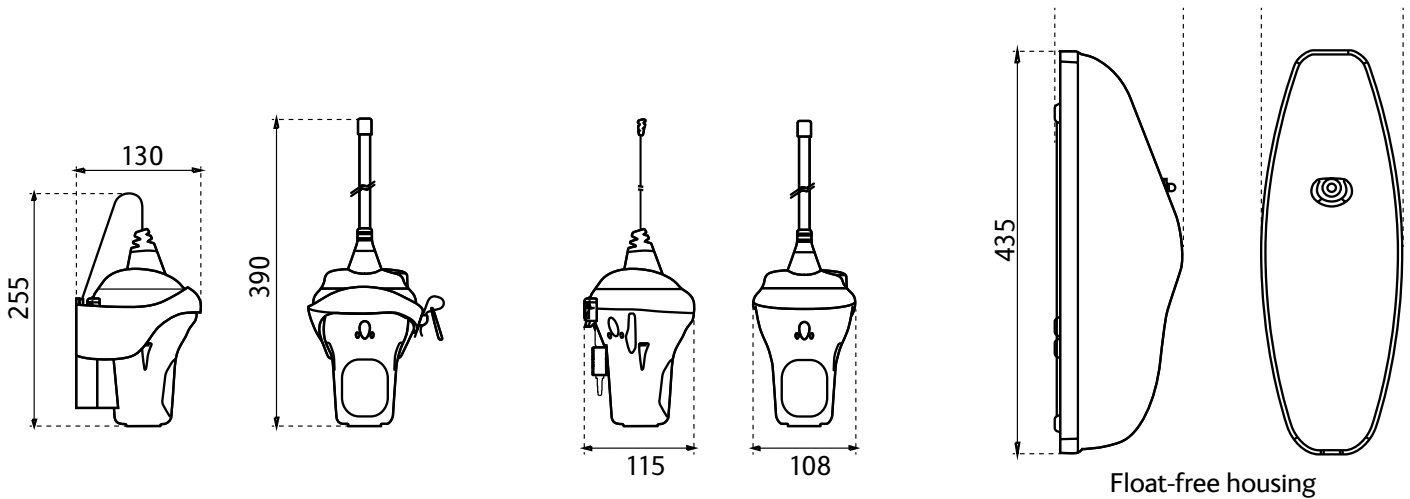
Once removed from its mounting bracket, activation happens automatically by immersion of the water or manually by a protected push button on the rear of the EPIRB. An additional self-test button runs a short diagnostic check and indicates that the EPIRB is ready for use. The specially designed bracket prevent unintentional activation in carry-off situations.



SAILOR® SE-II AND SGE-II EPIRBs

Emergency Position Indicating Radio Beacon

COBHAM



GENERAL SPECIFICATIONS

Message formats	Serialised, MMSI and radio call sign
Programming	Via RS232 light pen and Windows based PC
Temperature Operating	-20° C to +55° C (Class 2)
Temperature Storage	-30° C to +70° C
Battery life	5 years storage then 48 hours operation
Sealing depth	Waterproof to 10m
Weight	770g (1.7lb)

406MHz TRANSMITTER

Frequency	406.025MHz +/-1kHz
Output power	5 Watts
Modulation	Typical phase

121.5MHz HOMING TRANSMITTER

Frequency	121.5MHz +/- 3.5kHz
Output power	50mW ERP
Modulation	AM swept tone

VISUAL LOCATION

Intensity	0.75Cd light output minimum
Flash rate	23 flashes per minute
Strobe light type	Two high intensity LEDs

For further information please contact:

Cobham SATCOM Maritime
Lundtoftegaardsvej 93 D
DK-2800 Kgs. Lyngby
Denmark
www.cobham.com
Tel: +45 3955 8800
Fax: +45 3955 8888