

Model: FELCOM18/19



# MES

**INMARSAT Mobile Earth Station**

**Proven solutions for Inm  
fully incorporated SSAS**



## Features of FELCOM18

Inmarsat-C Ship Earth Station terminal for GMDSS application

Full GMDSS compliance with optional printer and AC/DC power supply

SSAS capability with SSAS Alert Units

Compatibility with LRIT application

Compatible with the following standard:

IMO A.570(14), IMO A.664(16), IMO A.694(17), IMO A.807(19), IMO MSC.147(77), IMO MSC.36(63), IMO MSC.68(68) Annex 4, IMO MSC.97(73), IMO MSC.263.(84), MSC/Circ.862, IEC 60945 Ed. 4, IEC 61097-4 Ed. 2, IEC 61162-1 Ed. 4

A wide variety of communication schemes available: telex, FAX, emailing, EGC, Data reporting/polling, etc.

SD card for recording media

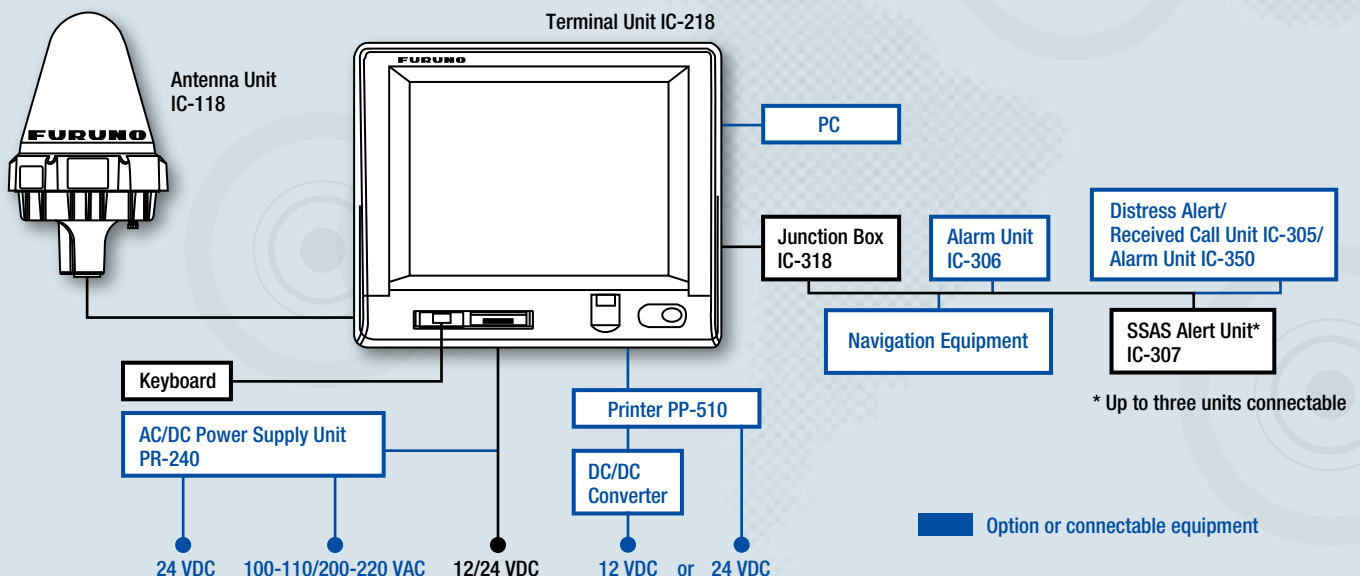
GPS receiver (option)

Compatible with:



Model: FELCOM18

## Interconnection Diagram



# Inmarsat-C/Inmarsat MINI-C services and LRIT capabilities



Compatible with:



## Features of FELCOM19

Inmarsat MINI-C Mobile Earth Station terminal

Compatibility with LRIT application

SSAS capability with SSAS Alert Units

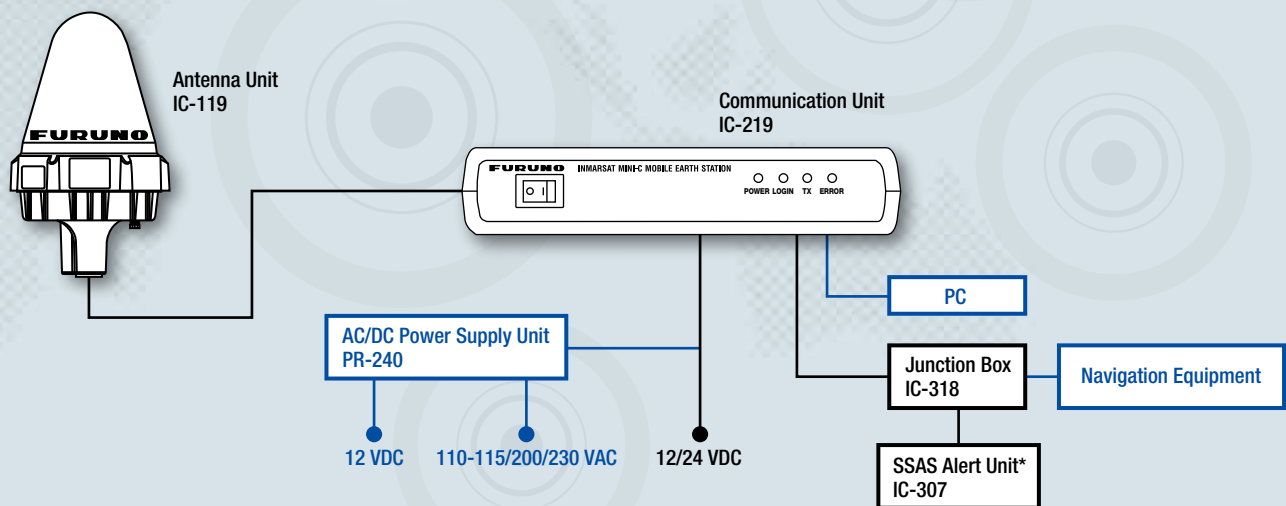
A wide variety of communication schemes available:  
telex, FAX, emailing, EGC (non-GMDSS), Data reporting/polling, etc.

GPS receiver incorporated

Black-box configuration allows flexible installation

Model: FELCOM19

## Interconnection Diagram



Option or connectable equipment

\* Up to three units connectable

## SPECIFICATIONS

Product Name	Inmarsat-C Mobile Earth Station <b>FELCOM18</b>	Inmarsat MINI-C Mobile Earth Station <b>FELCOM19</b>
Frequency	TX: 1626.5-1646.5 MHz RX: 1537.0-1544.2 MHz	
Channel Spacing	5 kHz	
Modulation Rate and format	TX: 600, 1200 sps Unfiltered BPSK RX: 1200 sps Unfiltered BPSK	
Minimum G/T	-23.0 dB/K (at elv. 5°)	-23.7 dB/K (at elv. 5°)
Output Power	12-16 dBW (at elv. 5°)	7-16 dBW (at elv. 5°)
Power Supply	12-24 VDC	
	TX: less than 130 W RX: less than 60 W	less than 50 W less than 10 W

## EQUIPMENT LIST

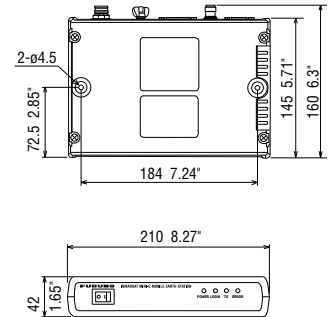
Standard	1 Antenna Unit with 30 m cable IC-118 1 unit	1 Antenna Unit with 30 m cable IC-119 1 unit
	2 Terminal Unit with keyboard IC-218 1 unit	2 Communication Unit IC-219 1 unit
	3 Junction Box IC-318 1 unit	3 Junction Box IC-318* 1 unit
	4 SSAS Alert Unit IC-307* 2 unit	4 SSAS Alert Unit IC-307* 2 unit
	5 Installation materials *applicable only for SSAS specification	5 Installation materials *applicable only for SSAS specification
Option	1 Distress Alert/Received Call Unit IC-305 2 Alarm Unit IC-306 3 AC/DC Power Supply Unit PR-240 4 GPS Board Kit 5 SSAS Alert Unit IC-307** 6 Printer PP-520 **applicable only for non-SSAS specification	1 AC/DC Power Supply Unit PR-240 2 SSAS Alert Unit IC-307** 3 Junction Box IC-318** 4 Printer PP-520 **applicable only for non-SSAS specification

## ENVIRONMENT

Temperature	Antenna Unit BDE	-35 to +55°C (Storage: +70°C) -15 to +55°C
Relative Humidity		40°C 95%
Degree of protection	Antenna Unit Terminal Unit Printer/Keyboard Others	IP56 IP22 IPX0 IP22 (bulkhead mount)
Vibration		IEC 60945 Ed.4

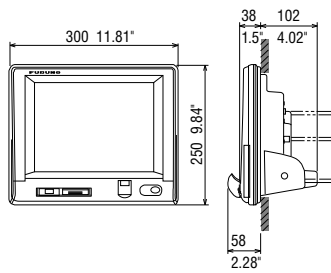
## Communication Unit

**IC-219**  
1.2 kg 2.65 lb



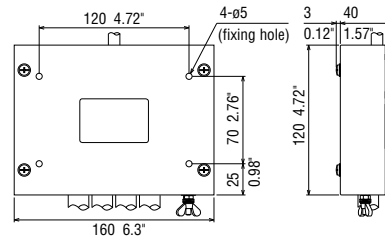
## Terminal Unit

**IC-218**  
4.2 kg 9.26 lb



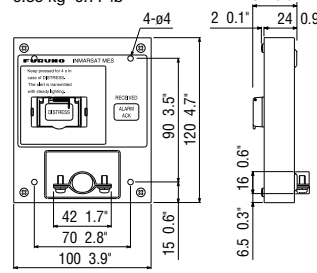
## Junction Box

**IC-318**  
weight: TBC



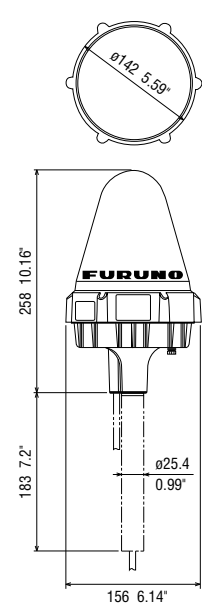
## Distress Alert/Received Call Unit

**IC-305**  
0.35 kg 0.77 lb



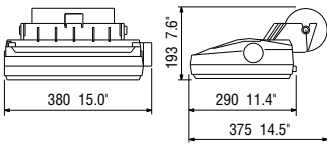
## Antenna Unit

**IC-118/IC-119**  
1.4 kg 3.09 lb



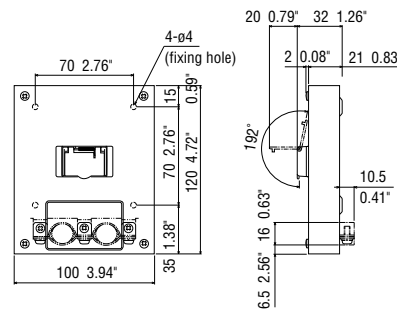
## Printer

**PP-520**  
4.8 kg 10.6 lb



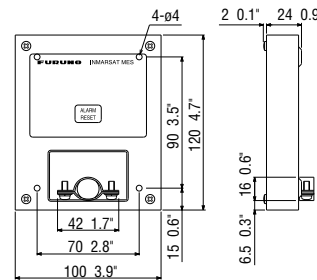
## SSAS Alert Unit

**IC-307**  
0.35 kg 0.77 lb



## Alarm Unit

**IC-306**  
0.33 kg 0.7 lb



Beware of similar products

All brand and product names are registered trademarks, trademarks or service marks of their respective holders.

SPECIFICATIONS SUBJECT TO CHANGE WITHOUT NOTICE

**FURUNO ELECTRIC CO., LTD.**  
Japan | www.furuno.com  
**FURUNO U.S.A., INC.**  
U.S.A. | www.furunousa.com  
**FURUNO PANAMA S.A.**  
Republic of Panama | www.furuno.com.pa  
**FURUNO (UK) LIMITED**  
U.K. | www.furuno.co.uk  
**FURUNO NORGE A/S**  
Norway | www.furuno.no

**FURUNO DANMARK A/S**  
Denmark | www.furuno.dk  
**FURUNO SVERIGE AB**  
Sweden | www.furuno.se  
**FURUNO FINLAND OY**  
Finland | www.furuno.fi  
**FURUNO POLSKA Sp. Z o.o.**  
Poland | www.furuno.pl  
**FURUNO DEUTSCHLAND GmbH**  
Germany | www.furuno.de

**FURUNO FRANCE S.A.S.**  
France | www.furuno.fr  
**FURUNO ESPAÑA S.A.**  
Spain | www.furuno.es  
**FURUNO ITALIA S.R.L.**  
Italy | www.furuno.it  
**FURUNO HELLAS S.A.**  
Greece | www.furuno.gr  
**FURUNO (CYPRUS) LTD**  
Cyprus | www.furuno.com.cy

**FURUNO EURUS LLC**  
Russian Federation | www.furuno.ru  
**FURUNO SHANGHAI CO., LTD.**  
China | www.furuno.com/cn  
**FURUNO CHINA CO., LTD.**  
Hong Kong | www.furuno.com/cn  
**FURUNO KOREA CO., LTD**  
Korea  
**FURUNO SINGAPORE**  
Singapore | www.furuno.sg

**PT FURUNO ELECTRIC INDONESIA**  
Indonesia | www.furuno.id

2-C-18061SK  
Catalogue No. CA00001210