



# VSP

## BATTERYLESS TELEPHONE SYSTEM

 when communication is critical

# vingtor STENTOFON

by ZENITEL GROUP

Vingtor-Stentofon products are developed by the Zenitel Group and includes a range of high quality communications equipment and systems. Being in business since 1901, Zenitel's products are recognized globally for offering high quality communications for both offshore and onshore installations. Primary system offering within the Vingtor-Stentofon portfolio are Public Address and Intercom. Zenitel and the company's global partner network, also integrate these systems with other security devices; including Radio, CCTV, Access Control and Alarm for a comprehensive security solution.

Vingtor-Stentofon is world-renowned for its extensive knowledge in the design, construction, installation and maintenance of integrated marine communication systems. Leveraging our long-term experience serving the maritime industry, we offer an impressive portfolio and provide cutting edge solutions to vessels worldwide under the brand name of Vingtor-Stentofon. The Vingtor-Stentofon brand underpins our reputation as a supplier of the most flexible, reliable and advanced communication systems available today.

## MEETING YOUR REGULATORY REQUIREMENTS

All Vingtor-Stentofon products that form a part of critical communication have been tested according to IEC 60945, IEC 60533 standards, and comply with SOLAS regulations and codes relevant to on-board communication systems. Our systems are delivered in accordance with the rules of all major classification societies.

## FOR ALL YOUR SALES & AFTER SERVICE REQUIREMENTS

Vingtor-Stentofon is a specialist provider of spare parts, repairs, maintenance contracts and refit solutions. Responsibility and availability are our guidelines and customer support and service a first priority.



2015



2013



2012



2011



2009



1952



1964



1975



1996



2001

**VSP BATTERYLESS TELEPHONE SYSTEMS** **4**

---

VSP DESCRIPTION	4
VSP SYSTEM BLOCK	5
TELEPHONE SYSTEM 12-WAY	6
TELEPHONE SYSTEM 20-WAY	7
COMMON ACCESSORIES	8

**VSP INTRINSICALLY SAFE SET** **10**

---

VSP INTRINSICALLY SAFE SET DESCRIPTION & SYSTEM BLOCK	10
VSP EX UNITS	11

# VSP BATTERYLESS TELEPHONE SYSTEMS

The VSP system is independent of the vessel's power supply and fulfils the demands for emergency communication between vital positions on board. The system has a versatile range of light but robust and corrosion-resistant stations for all on-board environments. The various VSP stations can be delivered for panel, desktop or bulkhead mounting.

## THREE SYSTEMS

- 12-Way system consisting of up to 12 main stations with selector switch for selective calling between all connected stations
- 20-Way (M) system consisting of up to 20 main stations with selector switch for selective calling between all connected stations
- Intrinsically safe VSP set for units in hazardous areas  
Note! For 12-Way only

## FEATURES

- Provides emergency communication independent of the vessel's power supply
- Excellent speech quality
- Model with noise compensated microphones
- Model built-in or separate relay for operation of signal units
- Supports headset directly connected to stations or via plug box
- Supports a wide range of stations for ship environment

## APPROVALS

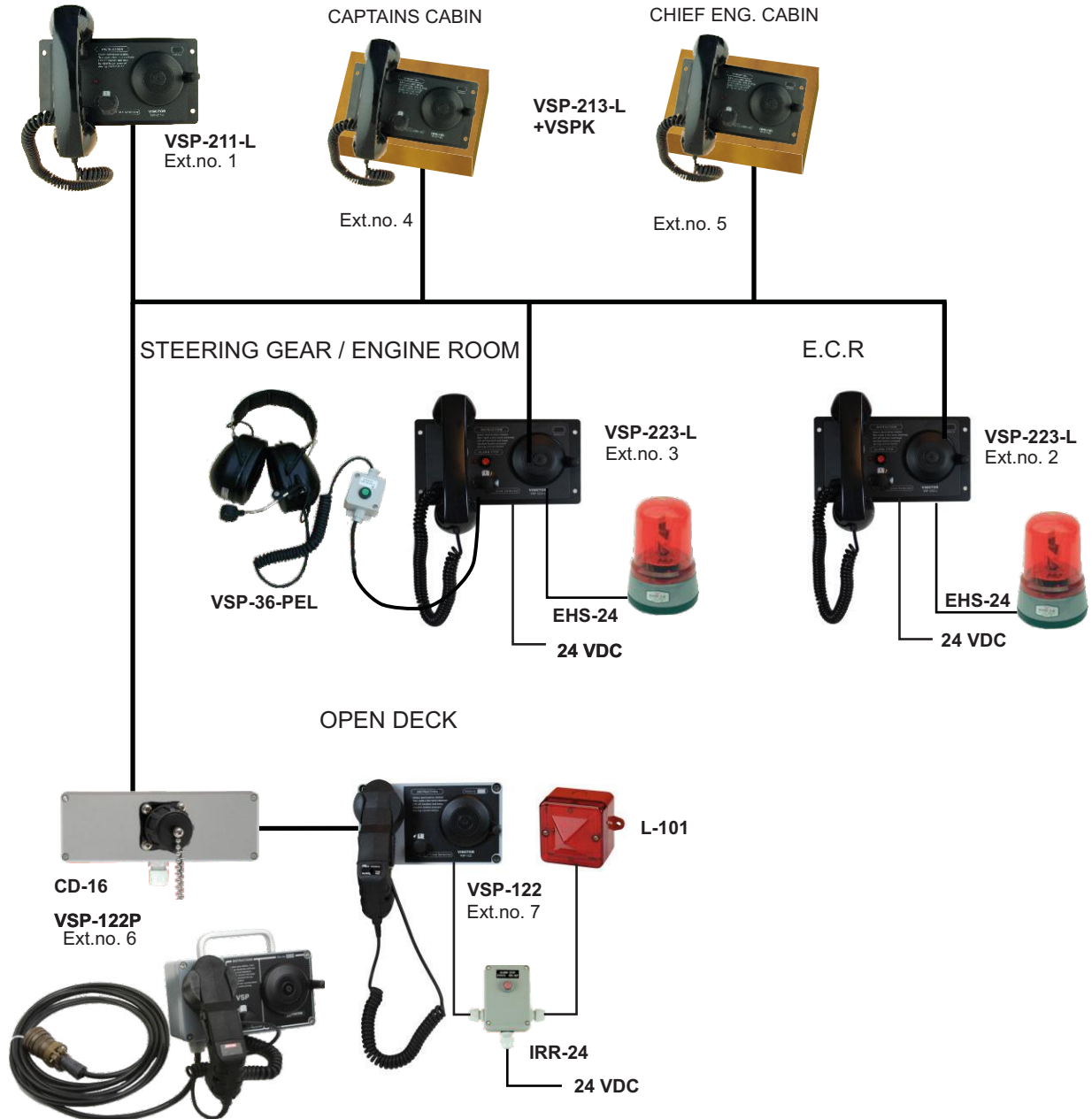
- The system is tested according to IEC60945, and is type approved by DNV, LR, Rina, RMRS, CCS, ABS, RRR, GL, PRS, CRS



## Example 12 Way System

WHEELHOUSE

ACCOMMODATION



## TELEPHONE SYSTEM 12-WAY



1020600931

### VSP-211-L MAIN STATION, PANEL MOUNTED

- Delivered with 12 positions selector switch
- Equipped with the built-in system amplifier w/ capacitor battery
- Terminals for auxiliary 24V DC when used as Common Battery Telephones
- Bulkhead mounted by use of corresponding on-wall metal box, type MBOKS
- Suitable for installation in wheelhouse and control room



Size (WxHxD): 238 x 214 x 137 mm (w/handset and built-in depth) Weight: 1.3 kg

Additional Information: IP-44, To avoid noise problems, the 24 VDC must be supplied via a DC/DC converter

1020600943

### VSP-223-L MAIN STATION, PANEL MOUNTED W/BUILT-IN RELAY CIRCUIT - 24V DC

- Delivered with 12 positions selector switch
- Alarm stop button
- Noise compensated microphone
- Optical LED call indication at front (in addition to audible call signal)
- Bulkhead mounted by use of corresponding on-wall metal box, type MBOKS
- Suitable for installation in control rooms and noisy areas like steering gear, engine- and thruster rooms



Size (WxHxD): 238 x 214 x 137 mm (w/handset) Weight: 1.3 kg

Additional Information: IP-44

1020600935

### VSP-213-L MAIN STATION, PANEL MOUNTED, INDOOR UNIT

- Delivered with 12 position selector switch
- Desk or wall mounted by use of a corresponding wooden cabinet, type VSPK
- Wall mounted by use of a corresponding on-wall metal box, type MBOKS
- Suitable for installation in wheelhouse, control room or accommodations



Size (WxHxD): 238 x 214 x 137 mm (w/handset and built-in depth) Weight: 1.3 kg

Additional Information: IP-44

1020600910

### VSP-122 MAIN STATION, WATERTIGHT

- Wall mounting
- 12 extensions selector
- Has watertight housing
- For use in bridge wings and open deck areas.



Size (WxHxD): 220 x 220 x 185 mm (w/handset) Weight: 2 kg

Additional Information: IP-66

3006200024

### VSP-122P MAIN STATION, PORTABLE WATERTIGHT

- Portable substation
- 12 extensions selector
- Waterproof housing
- Carry handle and 5 meter cable with 16 pins Amphenol plug
- Used together with CD-16 in bridge wings and open deck areas.



Size (WxHxD): 220 x 220 x 185 mm (w/handset) Weight: 2.6 kg

Additional Information: IP-66

## TELEPHONE SYSTEM 20-WAY



3006200025

### VSP-211M-L MAIN STATION, PANEL MOUNTED, W/H UNIT

- Equipped with a built-in system amplifier with capacitor battery
- Terminals for auxiliary 24 VDC when used as Common battery Telephones
- Optical LED call indication in front
- Delivered for flush or bulkhead mounting by use of an on-wall metal or wooden box
- Suitable for installation in wheelhouse and control rooms



**Size (WxHxD): 238 x 214 x 137 mm (w/handset and built-in depth) Weight: 1.3 kg**

Additional Information: IP-44, To avoid noise problems, the 24 VDC must be supplied via a DC/DC converter

3006200028

### VSP-212M-L MAIN STATION, PANEL MOUNTED W/BUILT-IN RELAY CIRCUIT - 24V

- Equipped with built-in relay latch timer for activation of external visible or audible 24V DC signal units
- Alarm stop button
- Noise compensated microphone



**Size (WxHxD): 238 x 214 x 137 mm (w/handset and built-in depth) Weight: 1.3 kg**

Additional Information: IP-44

3006200030

### VSP-22M MAIN STATION, WT

- For bulkhead mounting
- Watertight housing for use in bridge wings and open deck areas



**Size (WxHxD): 220 x 222 x 185 mm (w/handset) Weight: 2.4 kg**

Additional Information: IP-66

3006200029

### VSP-213M-L MAIN STATION, PANEL MOUNTED, INDOOR

- Optical LED call indication at front
- Delivered for flush- or bulkhead mounting by use of an on-wall metal or wooden box
- Desk or wall mounted by use of the wooden cabinet, type VSPK
- Wall mounted by use of a corresponding on-wall metal box, type MBOKS
- Suitable for installation in accommodations and control rooms



**Size (WxHxD): 238 x 214 x 137 mm (w/handset and built-in depth) Weight: 1.3 kg**

Additional Information: IP-44

## MANUALS

A100K10873

VSP 12-Way Technical Manual

A100K10675

VSP 12-Way User Guide

A100K10758

VSP-M 20-Way Technical Manual

A100K10756

VSP-M 20-Way User Guide

## ACCESSORIES



**Note!**  
See Catalog Common  
Equipment for signal units

1020159000

### CD-4 PLUG-BOX WT

- For portable unit in VSP
- Wall mounting



Size (WxHxD): 80 x 110 x 63 mm Weight: 0.35 kg

Additional Information: IP-66

1020600982

### CD-16 PLUG-BOX FOR VSP-122P

- Designed to be used together with VSP-122P, portable stations with station selector switch
- Socket with dust cap
- Delivered for bulkhead mounting
- Suitable for installation in noisy or deck areas



Size (WxHxD): 224 x 80 x 63 mm Weight: 0.6 kg

Additional Information: IP-66

3006090478

### MBOKS METAL BOX F/WALL MOUNTING

- On-wall box designed for stations in VSP



Size (WxHxD): 244 x 138 x 76 mm Weight: 1 kg

3006090492

### VM-0411 PROTECTION COVER FOR VSP CONSOLE TELEPHONES

- Protection for the printed circuit board
- Material aluminium



Size (WxHxD): 195 x 100 x 59mm Weight: 0.2 kg

3006200049

### VSPK WOODEN CABINET WHEN DESK MOUNTED

- Wooden box designed for desk or on-wall mounting of accommodation stations
- For all indoor stations



Size (WxHxD): 260 x 162 x 98 mm Weight: 0.55 kg

1020600751

### VSP-36-PEL HEADSET WITH BOOM MICROPHONE WITH 10M CABLE

- Headset for connecting directly to a VSP station
- ON/OFF switch-box with belt clip
- Standard with 10 m cable
- To be used in noisy areas



Weight: 1.1 kg

Additional Information: IP-54

1020600761

### VSP-36-PELP PORTABLE HEADSET WITH BOOM MICROPHONE WITH 10M CABLE AND PLUG

- ON / OFF switch box with belt clip
- Standard with 10 m cable and 4 pin Amphenol plug
- To be used together with CD-4 in noisy areas



Weight: 1.2 kg

Additional Information: IP-54

3006090486

### MT9 THROAT MICROPHONE FOR VSP-36-PEL/PELP

- Bone construction, vibration sensitive
- Impedance: 3900 Ohm @ 1kHz
- Cable: PUR, flame retardant, black ø3.0mm



Weight: 0.04kg

Additional Information: Replace boom microphone on VSP-36 headset



3006202045

### IRR-24 RELAY BOX FOR 24V DC SIGNAL UNITS WT

- Built-in timer circuit. 20 sec. signalling time as standard
- Alarm stop button
- Delivered for bulkhead mounting
- Suitable for installation in noisy areas



Size (WxHxD): 80 x 110 x 63 mm Weight: 0.35 kg

Additional Information: IP-66

1020600993

### IRR-4 RELAY BOX FOR CLOSING CONTACT INPUT 24VDC & 115/230VAC

- Use a potential free contact to switch an external voltage supply to an external unit
- Support input: 24Vdc, 110-115Vac and 220-240Vac
- Support output: 24 Vdc max 6A, 110-115Vac or 220-240Vac max 2A



Size (WxHxD): 122 x 120 x 55 mm Weight: 0.4 kg

Additional Information: IP-66

3006200005

### IRR-VSPM-24 RELAY BOX F/ ALARM 24V DC SIGNAL UNIT, WT

- Separate relay timer unit for operation of 24V DC visible and/or audible signal units
- Built-in timer circuit. Signalling time is 20 sec. as standard
- Alarm stop button
- Delivered for bulkhead mounting
- Suitable for installation in noisy areas



Size (WxHxD): 224 x 80 x 63 mm Weight: 0.6 kg

Additional Information: IP-66

1020600995

### IRR-VSP-220 RELAY BOX F/ ALARM 220V AC, WT

- Separate relay timer unit for operation of 220V AC visible and/or audible signal units
- Built-in timer circuit. Signalling time is 20 sec. as standard
- Alarm stop button
- Delivered for bulkhead mounting
- Suitable for installation in noisy areas



Size (WxHxD): 224 x 80 x 63 mm Weight: 0.6 kg

Additional Information: IP-66

3006200004

### IRR-VSPM-220 RELAY BOX F/ ALARM 220V AC SIGNAL

- Separate relay timer unit for operation of 220V AC visible and / or audible signal units
- Built-in timer circuit. Signaling time is 20 sec. as standard
- Alarm stop button
- Delivered for bulkhead mounting
- Suitable for installation in noisy areas
- For VSPM system



Size (WxHxD): 224 x 80 x 63 mm Weight: 0.6 kg

Additional Information: IP-66

# VSP INTRINSICALLY SAFE SET FOR EX II G AREA

An Intrinsically Safe VSP Set consists of a Buffer unit mounted in a safe area and a Main station, with optional headset and call signal, mounted in the hazardous area. The Buffer unit can be delivered in different versions, depending on how many main stations should be called. The buffer unit must be powered by 24V DC.

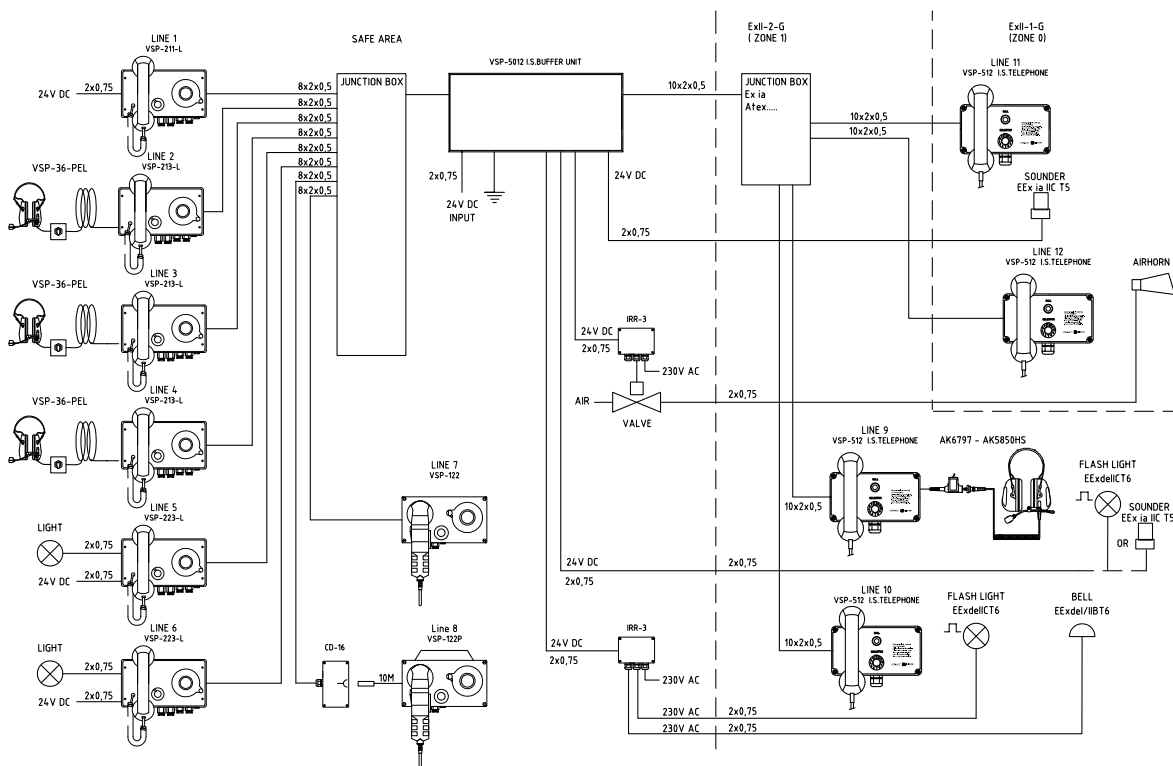
Making a call from a Main station in the hazardous area to VSP stations in the safe area is simple: Turn the selector switch to the desired extension number and press the call button. Lift the handset and keep the handset button pressed during the conversation.

## FEATURES

- For use in hazardous areas
- ATEX and IECEx approved
- Excellent speech quality
- Easy to use
- Support up to 12 Main stations in Ex II 1G area
- 4 x 24V DC outputs to Ex signal units.
- Additional 24V DC outputs to Ex signal units on request
- 4-12 call signal outputs to safe area depending on buffer version
- Require 24V DC to operate
- Optional headset connected directly to main station
- Compatible with VSP 12-way system

## CERTIFICATE

- ATEX Certificate number Presafe 15 ATEX 6475
- IECEx Certificate number IECEx PRE 15.0024



## VSP EX UNITS



3006200037

### VSP-5004 EX BUFFER UNIT IN SAFE AREA, SELECTIVE CALL TO 4 STATIONS

- 4 call signal outputs to safe and EX area
- Signal output for 4 stations in hazardous area
- Metal cabinet RAL7032
- Wall mounting

Size (WxHxD): 450 x 300 x 200 mm Weight: 11 kg

Additional information: IP-44

3006200038

### VSP-5004/1 EX BUFFER UNIT IN SAFE AREA, SELECTIVE CALL TO 4 STATIONS W/1PC ZENER BARRIER

- 4 call signal outputs to safe and EX area
- Delivered with 1x zener barrier for 24 VDC Ex sounder IS28-MK5 in zone 0
- Signal output for 1 station in hazardous area
- Metal cabinet RAL7032
- Wall mounting

Size (WxHxD): 450 x 300 x 200 mm Weight: 11 kg

Additional information: IP-44  
3006200006 Ex sounder IS28-MK5

3006200039

### VSP-5004/2 EX BUFFER UNIT IN SAFE AREA, SELECTIVE CALL TO 4 STATIONS W/2PC ZENER BARRIER

- 4 call signal outputs to safe and EX area
- Delivered with 2 x zener barriers for 24 VDC Ex sounder IS28-MK5 in zone 0
- Signal output for 2 stations in hazardous area
- Metal cabinet RAL7032
- Wall mounting

Size (WxHxD): 450 x 300 x 200 mm Weight: 11 kg

Additional information: IP-44  
3006200006 Ex sounder IS28-MK5

3006200040

### VSP-5008 EX BUFFER UNIT IN SAFE AREA, SELECTIVE CALLING TO 8 STATIONS

- 8 call signal outputs to safe and EX area
- Signal output for 4 stations in hazardous area
- Metal cabinet RAL7032
- Wall mounting

Size (WxHxD): 450 x 300 x 200 mm Weight: 11 kg

Additional information: IP-44

3006200042

### VSP-5012 EX BUFFER UNIT IN SAFE AREA, SELECTIVE CALLING TO 12 STATIONS

- 12 call signal outputs to safe and EX area
- Signal output for 4 stations in hazardous area
- Metal cabinet RAL7032
- Wall mounting

Size (WxHxD): 450 x 300 x 200 mm Weight: 11 kg

Additional information: IP-44

3006200044

### VSP-512 INTRINSICALLY SAFE MAIN STATION

- Suitable for mounting in hazardous areas Ex II 1G (Zone 0)
- Delivered with a 12 position selector switch and a call button
- Used together with buffer unit mounted in safe area
- Delivered for bulk-head mounting



Size (WxHxD): 220 x 208 x 170 mm Weight: 1.8 kg

Additional Information: IP-66

2330040025

### VSP-512-AKHS-10 HEADSET WITH HEADBAND ATEX/IECEX CERTIFIED INCL. 10M CABLE

- Rugged headset for EX application zone 1
- Noise-cancelling microphone
- High quality digital background noise reduction
- High quality audio
- Optional in-ear monitors may be connected for added damping in extreme environments
- Standard 4-pole Nexus connector for easy connection/replacement
- For use with latching cable 10 & 20 m



Weight: 0.4 kg (Headset)

Additional Information: IP-66  
2330040029 VSP-512-AKHS-20 Headset with headband ATEX certified incl. 20m cable

## MANUAL

A100K10872

VSP-EX Technical Manual v.3.0

[www.zenitel.com](http://www.zenitel.com)



**Theunissen Technical Trading BV** | Rijkweg 191, 6581 EK Malden, Nederland  
T +31 (0)24 358 44 55 | [info@tttbv.com](mailto:info@tttbv.com) | [www.tttbv.com](http://www.tttbv.com)

Zenitel and its subsidiaries assume no responsibility for any errors that may appear in this publication, or for damages arising from the information therein. Vingtor-Stentofon products are developed and marketed by Zenitel. The company's Quality Assurance System is certified to meet the requirements in NS-EN ISO 9001. Zenitel reserves the right to modify designs and alter specifications without notice. ZENITEL PROPRIETARY. This document and its supplementing elements, contain Zenitel or third party information which is proprietary and confidential. Any disclosure, copying, distribution or use is prohibited, if not otherwise explicitly agreed in writing with Zenitel. Any authorized reproduction, in part or in whole, must include this legend. Zenitel – All rights reserved.